

# GL 20 LED LED PROJECTOR



## SPECIFICATIONS

item:	GL 20 LED
housing:	Aluminium
available colours:	silver-grey, white
weight:	3.25 kg
on / off switch:	on the rear panel of the device
environmental conditions:	for dry indoor environments only
cooling:	active cooling, fan
light source:	20 W High Power LED
recommended projection distance in normal room light:	3 m
recommended projection distance in darkness:	8 m
average lifetime of the LED:	65,000 Stunden
colour temperature:	6,500 - 8,000 °Kelvin
luminous flux of the LED:	1,700 Lumen
gobo size / image size:	50 mm $\varnothing$ / 35 mm $\varnothing$
input voltage:	100-264 V AC / 47-63 Hz
active power (power consumption):	27 W
apparent power:	54 VA
efficiency:	0.50 cos. $\varphi$
IEC Protection Class:	Schutzklasse I
Ingress Protection Rating:	IP2X
changeable lens:	yes, several focal lengths are available
lighting effects:	yes, several effect options are available
connectors for effect options:	1 x 15 V DC, on the front panel
photobiological safety:	ICE62471:2006 EN62471:2008: RG-2
item number:	20003930 (silver-grey)   20003910 (white)

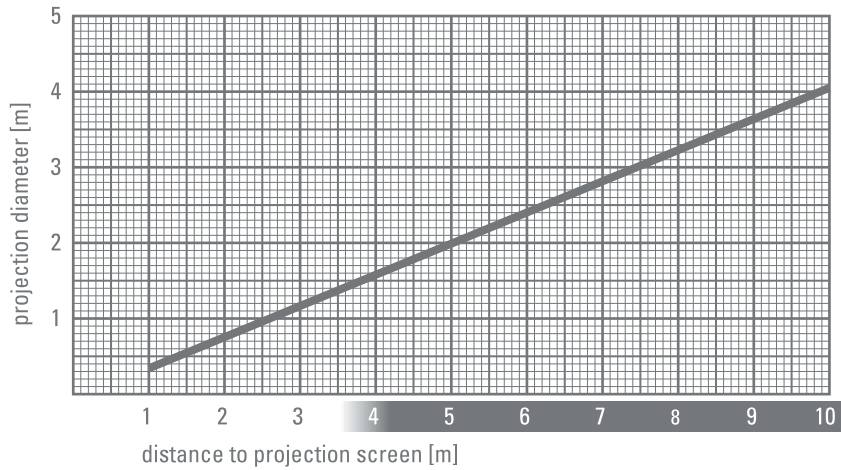
## COMPONENTS

Standard series with High Power LED, 85 mm standard lens, power cable with plug. The machine is ready to plug in and run. Required accessories: glass gobo with individually designed motif.

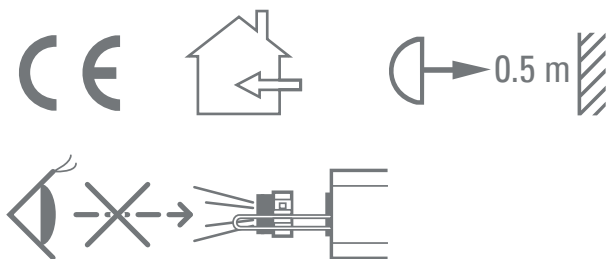
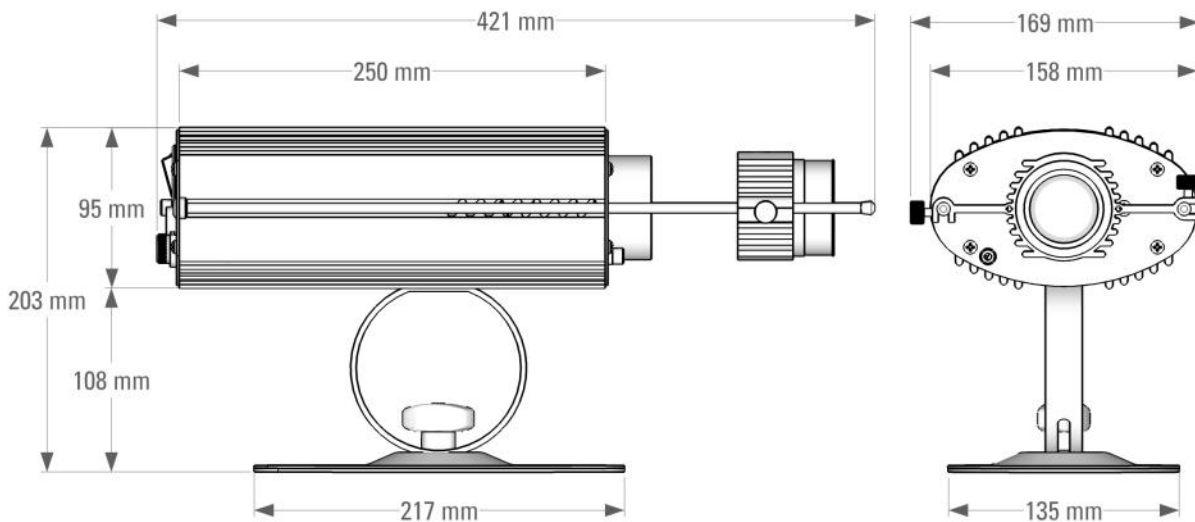
We reserve the right to make technical and optical modifications. Our general terms and conditions apply.

# PROJECTION DIAMETER WITH INCREASING DISTANCE

(with Standard Lens,  $f=85\text{mm}$ )



## DIMENSIONS



derksen®  
lichttechnik

Derksen Lichttechnik GmbH  
Sauerlandstraße 5  
45889 Gelsenkirchen  
Germany

Telefon: +49 (0) 209/980 70-0  
Telefax: +49 (0) 209/980 70-60

info@derksen.de  
www.derksen.de