

GOBOTOP MINI PROJECTOR 230 V – SPECIFICATIONS

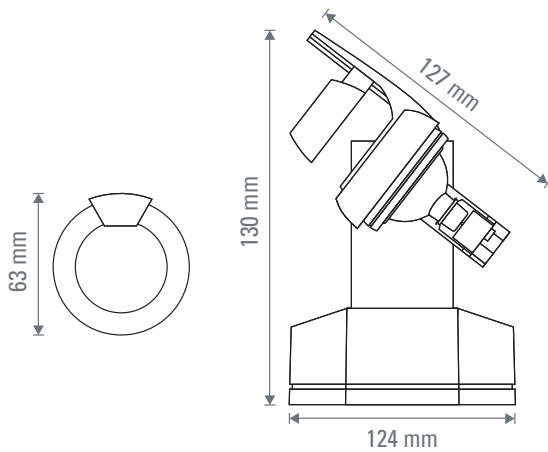


item:..... GoboTop Mini Projector 230 V
 material:..... heat-resistant plastic / stainless steel
 weight: 580 g
 on- / off-switch: for stand-by
 environmental conditions:..... for dry indoor environments only
 ambient temperature:..... 0 – 30° C
 light source: 50 W / 12 V MR16 halogen lamp
 socket:..... GU 5.3
 beam angle:..... 24°
 average lifetime of the lamp:..... 5,000 hours
 colour temperature:..... 3,200 K
 recommended projection distance in normal room light: 1.5 m / 5 ft
 recommended projection distance in darkness: 3.0 m / 10 ft
 programmable dimmer:..... can be activated, 6 interval levels available
 gobo size / image size: Ø 37.5 mm / Ø 20 mm
 input voltage: 220 - 240 V AC, 50 / 60 Hz
 power consumption:..... 56 W
 power factor: 0.99 cos. φ
 power consumption in stand-by : 2 W
 electrical protection:..... II
 ingress protection rating: IP 20
 item number: 09927620 – black, 09927630 – silver

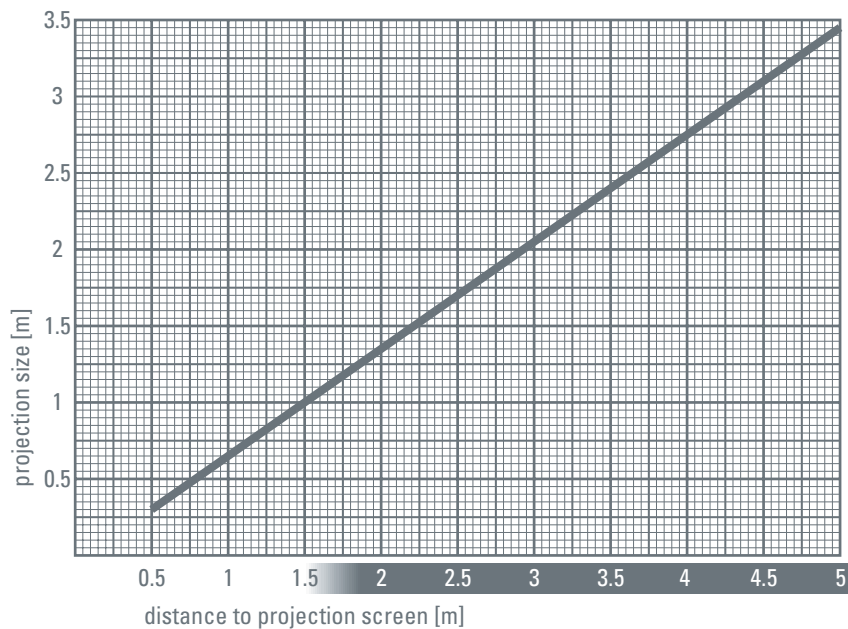


We reserve the right to make technical and optical modifications. Our general terms and conditions apply.

Dimensions



Projection Size



Ready for use immediately!

Unpack it, mount it and just project! GoboTop Mini Projector for close range is ready for use and causes a sensation. The system can be freely arranged or mounted on ceilings and walls. The motifs can be changed quickly and easily.

Light effects attract attention.

GoboTop Mini Projector is equipped with a programmable dimmer which enables animated effects. In six selectable interval stages the projected motif is faded in and out.

Components:

Standard series with 50 W MR16 halogen lamp and integrated transformer. The machine is ready to plug in and run. Required accessories: glass gobo with individually designed Motif.

derksen®
lichttechnik

Derksen Lichttechnik GmbH
Sauerlandstraße 5
45889 Gelsenkirchen
Germany

Tel.: +49 (0)209 / 9 80 70 0
Fax: +49 (0)209 / 9 80 70 60

info@derksen.de
www.derksen.de