

# PHOS 20 downlight LED PROJECTOR



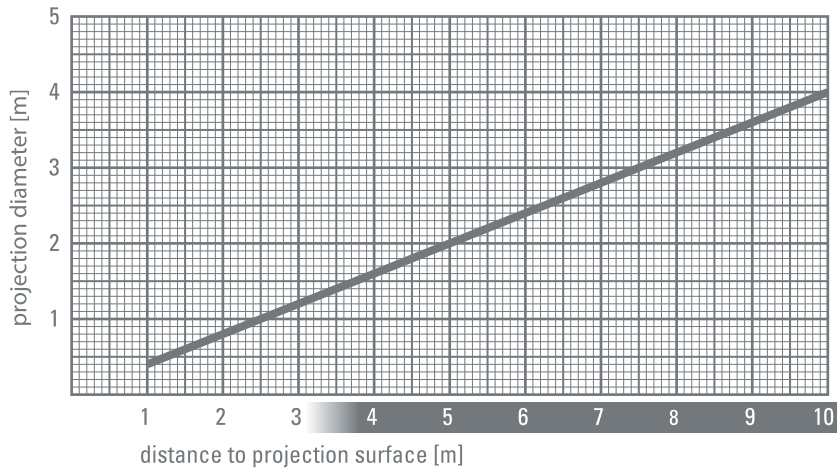
## SPECIFICATIONS

item:	PHOS 20 downlight
body:	aluminium
available colours:	silver, white
weight:	2.95 kg
environmental conditions:	for dry indoor environments only
pivot range:	ca. 15°, 2 axis
cooling:	passive, noiseless
light source:	20 W high power LED
recommended projection distance in normal room light:	3.0 m
recommended projection distance in darkness:	6 m
average lifetime of the LED:	35,000 operating hours
colour temperature:	6,500 - 8,000° Kelvin
luminous flux of the LED:	1,700 lumens
gobo size / image size:	50 mm $\varnothing$ / 35 mm $\varnothing$
input voltage:	100 - 240 V AC / 50 - 60 Hz
active power (power consumption):	26 W
apparent power:	37 VA
efficiency:	0.7 cos. $\varphi$
electrical protection:	protection class II
ingress protection rating:	IP 20
photobiological safety according to ICE62471:2006 EN62471:2008:	RG-2
order number:	
white:	20001610
silver:	20001630

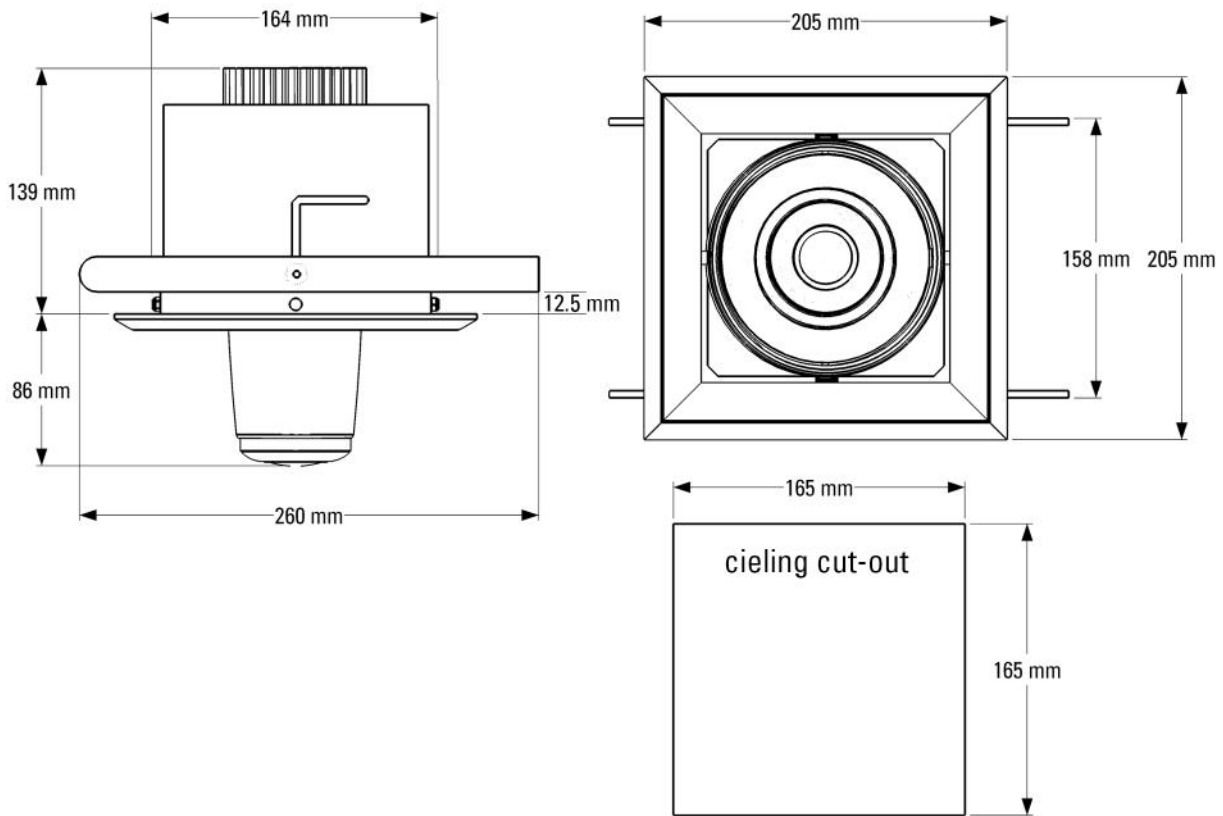
## COMPONENTS

Standard series with high power LED and 85 mm standard lens. The machine is ready to plug in and run.  
Required accessories: glass gobo with individually designed motif.

## PROJECTION DIAMETER WITH INCREASING DISTANCE

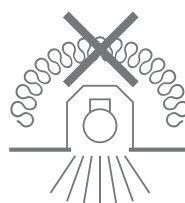


## MEASUREMENTS



**derksen**<sup>®</sup>  
lichttechnik

CE IP 20



Derksen Lichttechnik GmbH  
Sauerlandstraße 5  
45889 Gelsenkirchen  
Germany

Telefon: +49 (0) 209/980 70-0  
Telefax: +49 (0) 209/980 70-60

info@derksen.de  
www.derksen.de