

PHOS 40 downlight LED PROJECTOR



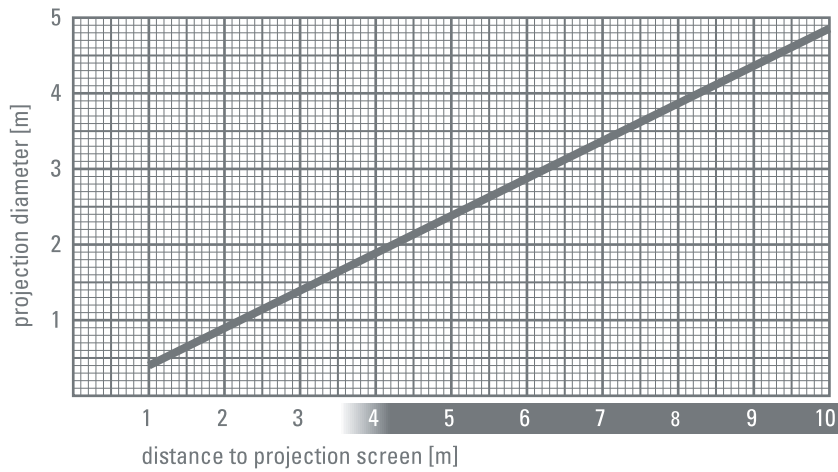
SPECIFICATIONS

item:.....	PHOS 40 downlight
body:	aluminium
available colours:	silver, white
weight:	3.3 kg
environmental conditions:.....	for dry indoor environments only
pivot range:.....	ca. 15°, 2 axis
cooling:.....	active ventilation
light source:	40 W high power LED
recommended projection distance in normal room light:	3.5 m
recommended projection distance in darkness:	8 m
average lifetime of the LED:	35,000 operating hours
colour temperature:	6,500 - 8,000° Kelvin
luminous flux of the LED:	2,400 lumens
gobo size / image size:	50 mm ø / 42 mm ø
input voltage:	220 - 240 V AC / 50 - 60 Hz
active power (power consumption):.....	49 W
apparent power:	54 VA
efficiency:.....	0.9 cos. φ
electrical protection:.....	protection class II
ingress protection rating:.....	IP 20
photobiological safety according to ICE62471:2006 EN62471:2008:.....	RG-2
order number:	
silver:.....	20001730
white:.....	20001710

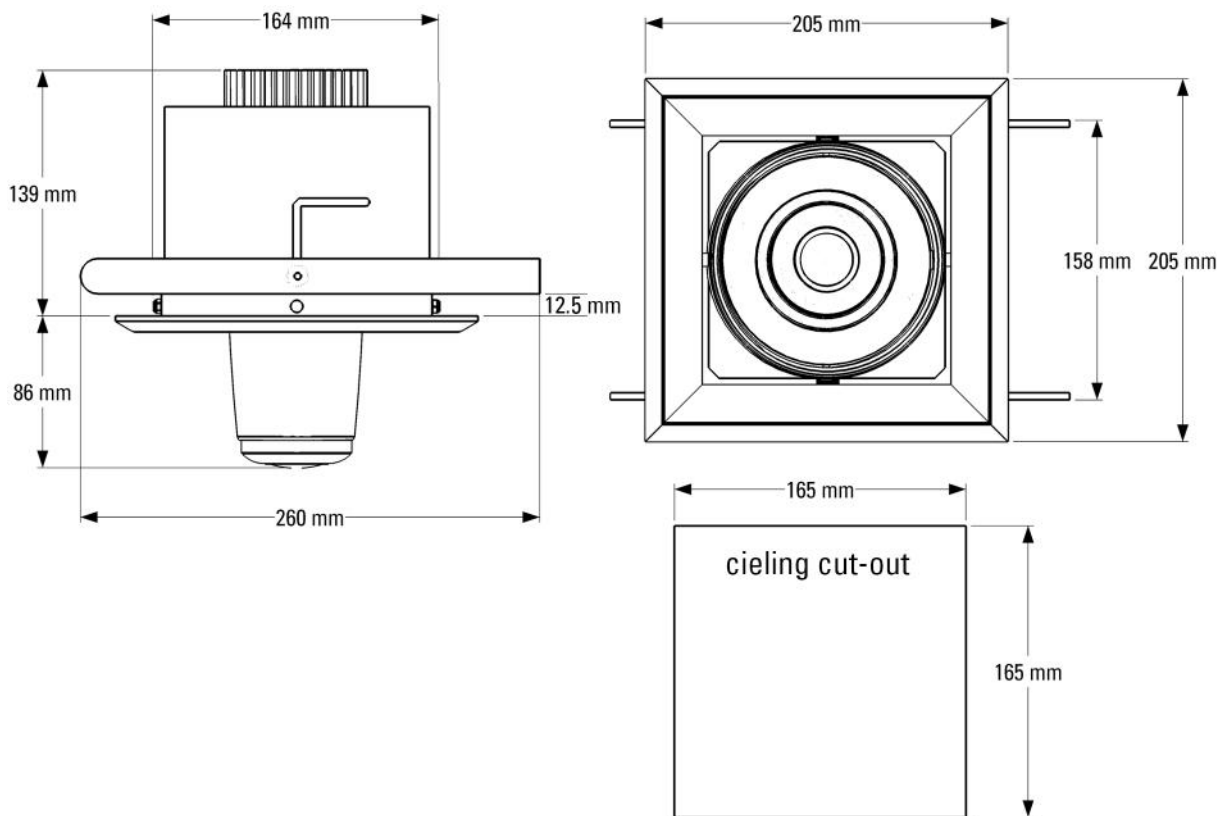
COMPONENTS

Standard series with high power LED and 85 mm standard lens. The machine is ready to plug in and run.
Required accessories: glass gobo with individually designed motif.

PROJECTION DIAMETER WITH INCREASING DISTANCE

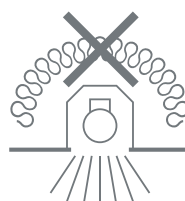


MEASUREMENTS



derksen[®]
lichttechnik

CE IP 20



Derksen Lichttechnik GmbH
Sauerlandstraße 5
45889 Gelsenkirchen
Germany

Telefon: +49 (0) 209/980 70-0
Telefax: +49 (0) 209/980 70-60

info@derksen.de
www.derksen.de