

PHOS 45 LT – SPECIFICATIONS



item:.....	PHOS 45 LT
body:.....	steel / aluminium
weight:	2.7 kg
environmental conditions:	3-phase lighting tracks, dry indoor environments only
ambient temperature:.....	-30° C – + 35° C
cooling:	active cooling, fan
noise level:	13 dBA
light source:	40 W High Power LED
recommended projection distance in normal room light:	13 ft
recommended projection distance in darkness:	33 ft
average lifetime of the LED (L70):.....	35,000 hours
colour temperature:.....	6,300 - 6,700 K
luminous flux of the LED:.....	2,700 lumens
gobo size / image size:	Ø 50 mm / Ø 40 mm
input voltage:	220 - 240 V AC, 50 / 60 Hz
power consumption:.....	43 W
efficiency:.....	0.85 cos. φ
electrical protection:	I
ingress protection rating:	IP 20
photobiological safety according to ICE62471:2006 EN62471:2008:.....	RG-2
item number:	20045210 – white, 20045220 – black, 20045230 – silver

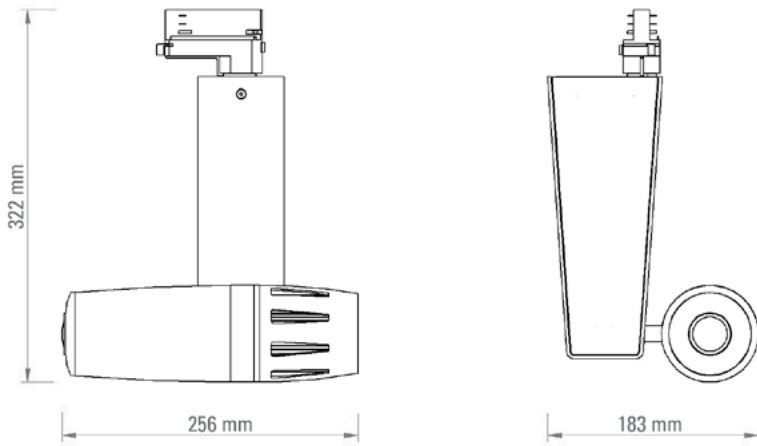
The 40 Watt High-Power LED of PHOS 45 LT is sufficiently cooled by a noise-optimized fan and provides extra power. PHOS 45 LT is designed for flexible use in 3-circuit lighting tracks. Despite its compact design, the projector delivers superior brightness: The recommended projection distance in normal room lighting is 13 feet, in darkness up to 33 feet. PHOS 45 LT is recommended for environments like salesrooms, service halls, trade fairs and museums. The projection motif (gobo) can be changed without tools.

Components:

Standard series with high power LED and 85 mm standard lens. The machine is ready to plug in and run. Required accessories: glass gobo with individually designed motif.

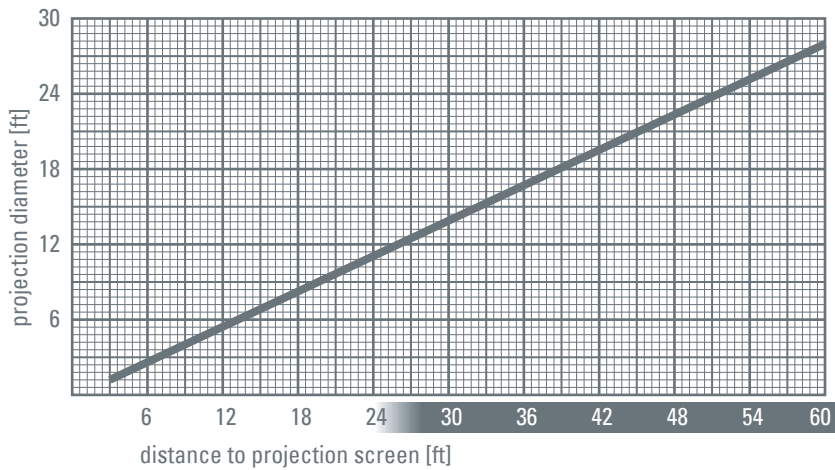


Dimensions



Projection Size

Standard Lens, $f = 85 \text{ mm}$



derksen®
lichttechnik

Derksen Lichttechnik GmbH
Sauerlandstraße 5
45889 Gelsenkirchen
Germany

Tel.: +49 (0)209 / 9 80 70 0
Fax: +49 (0)209 / 9 80 70 60

info@derksen.de
www.derksen.de