

PHOS mini LT LED PROJECTOR



SPECIFICATIONS

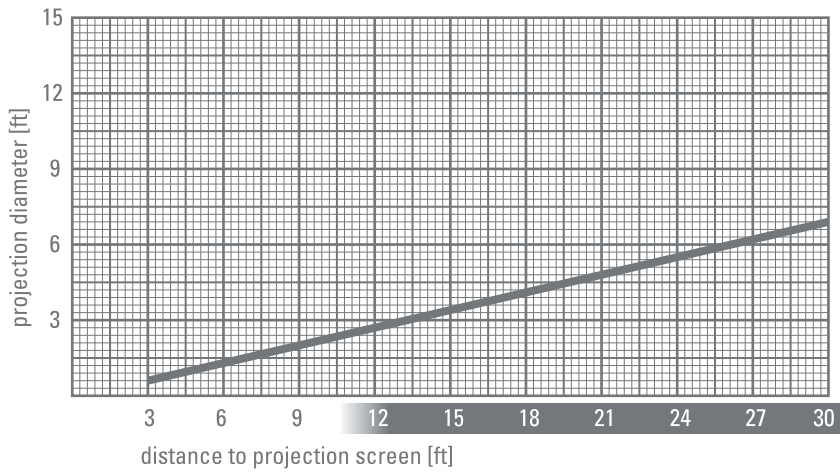
item:	PHOS mini LT
body:	aluminium
available colours:	silver / black / white
weight:	1.9 kg
on / off switch:	not available
environmental conditions:	for indoor use only
pivot range:	approx. 320° vertical
cooling:	passive, noiseless
light source:	10 W High-Power LED
recommended projection distance in normal room light:	10 ft
recommended projection distance in darkness:	20 ft
average lifetime of the LED:	35,000 operating hours
colour temperature:	6,500 - 8,000° Kelvin
luminous flux of the LED:	860 lumens
gobo size / image size:	Ø 37.5 mm / Ø 20.0 mm
voltage:	100 - 240 V AC, 50 / 60 Hz
active power (power consumption):	14 W
apparent power:	35 VA
efficiency:	0.4 cos. φ
electrical protection:	protection class I
item number:	
silver:	20001230
black:	20001220
white:	20001210

COMPONENTS

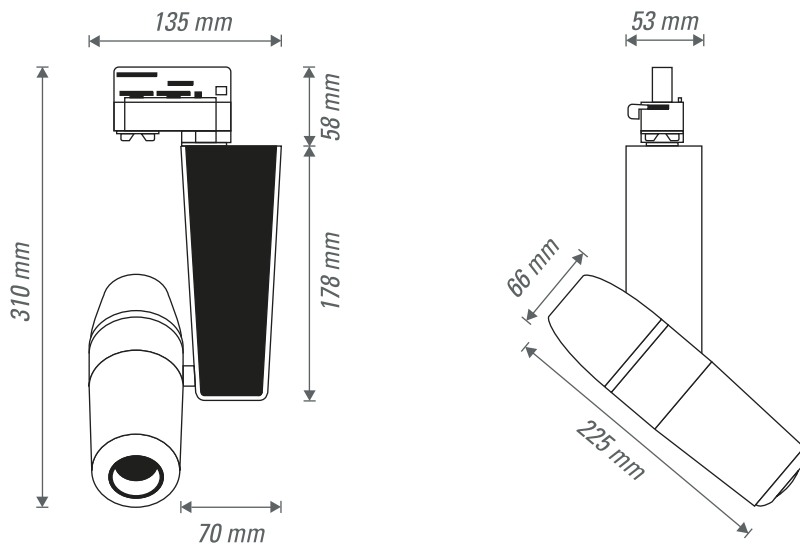
Standard series with high power LED, 85 mm standard lens, adapter for mounting the projector on a 3-phase lighting track. The machine is ready to plug in and run. Required accessories: glass gobo with individually designed motif.

We reserve the right to make technical and optical modifications. Our general terms and conditions apply.

PROJECTION DIAMETER WITH INCREASING DISTANCE



DIMENSIONS



CE IP 20



derksen®
lichttechnik

Derksen Lichttechnik GmbH
Sauerlandstraße 5
45889 Gelsenkirchen
Germany

Phone: +49 (0) 209/98070-0
Fax: +49 (0) 209/98070-60

info@derksen.de
www.derksen.de